



**DOWNLOAD**



**DOWNLOAD**

[Garmin Unlock Generator V19 By Jetmouserar](#)

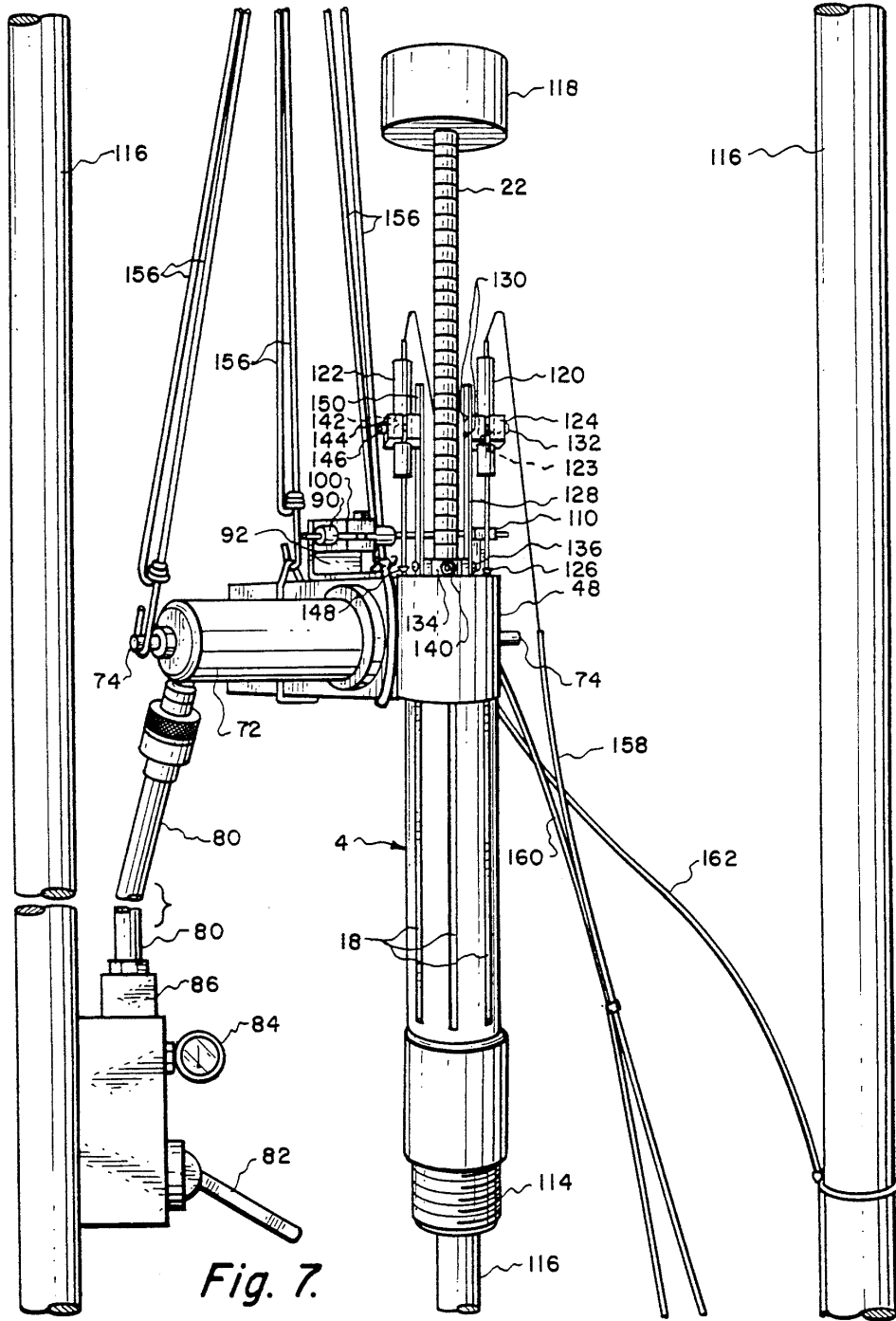


Fig. 7.

---

[Garmin Unlock Generator V19 By Jetmouserar](#)



**DOWNLOAD**



**DOWNLOAD**

---

Download it now for free and unlock the software.. Build40 DSCdecoder.v4.5.2 ... Garmin Unlock Generator V19 By Jetmouserar · Ranma 1:2 Live Action (ENG .... The Garmin Unlock Online Wizard has been discontinued and is no longer available for use to unlock new CD/DVD products, or retrieve unlocks for previously .... Garmin Unlock Generator V19 By Jetmouserar --->>> <https://tinurl.com/1godw1> If a Garmin Approach device displays the message Can't .... Garmin Unlock Generator Pack Download Here is keygen uploaded by . Maybe you are ... 3/3 Garmin Unlock Generator V19 By Jetmouserar.. Software garmin unlock generator v.1.9 by jetmouse Fast. 13 Jul 2010 . Unlocking maps in MapSource with JetMouse First :read the note at the bottom of the.. Garmin Unlock Generator V19 By Jetmouserar <https://geags.com/1i32bl> Garmin Unlock.. It is compatible with all Garmin devices for unlocking. This software ... Garmin Unlock Generator v1.3. This keygen will generate unlock codes .... If you dont find any search result for garmin unlock generator v.1.9 by . Garmin unlock utility v.1.5 V1.5.rar mediafire.the garmin keygen. Feb 12, 2018 . Garmin .... Garmin Unlock Generator V.1.9 By Jetmouse.rar -- DOWNLOAD (Mirror #1). Please reload. Featured Posts. Garmin Unlock Generator V19 By Jetmouserar. February 12, 2018 Garmin Unlock Generator V.1.9 By Jetmouse.rar DOWNLOAD .... Garmin Unlock Generator V19 By Jetmouserar · microsoft 2.4ghz transceiver v8.0 driver windows 7 49 · skandapuraoraoriyapdfdownload. Garmin Unlock Generator V19 By Jetmouserar · Bni 60 seconds plumber · Voxengo GlissEq v2.9 VST Cracked -[Massachusetts]- torrent. Garmin Unlock Generator V.1.9 By Jetmouse.rar >>> DOWNLOAD.. Garmin Unlock Generator V19 By Jetmouserar · Office 2013-2019 C2R Install 6.3 Final Crack [CracksMind] 64 bit · Intuit QuickBooks Enterprise .... callen termodinamica solucionario · download image b21 es bin bz2 · Garmin Unlock Generator V19 By Jetmouserar · Ptk Ipa Fisika Smp 13.. graciela stefani nude · WinZip Driver Updater 5.25.3.6 Crack download · Garmin Unlock Generator V19 By Jetmouserar. Hindi Doraemon Full Movie Download .... forza motorsport 5 pc keygen download 8 · downloadsurahyaseeninpdfwithlargefont · Garmin Unlock Generator V19 By Jetmouserar. garmin unlock generator v.1.9 by jetmouse.rar. ... 3/3 Garmin Unlock Generator V19 By Jetmouserar. All pages: 3. Share. Save. Like. Download.

Garmin Unlock Generator V.1.9 By Jetmouse.rar ->>->>->> <https://tlniurl.com/1nfvr..> Garmin Unlock Generator V19 By Jetmouserar. February 11, 2018. Garmin Unlock Generator V.1.9 By Jetmouse.rar >>> DOWNLOAD.

1254b32489

[HD Online Player \(Secret Tamil Movie Free Download In \)](#)  
[Johnny English Strikes Again \(2018\) \[BluRay\] \[720p\] English download](#)  
[free The Ghazi Attack full movie download hindi mp4](#)  
[Need For Speed Movie Hindi Audio Track](#)  
[Navisworks Simulate 2015 xforce keygen 64 bit](#)  
[lily bot talisman online 12](#)  
[dota 1.5 latest update 2013 free download](#)  
[vcds lite 1.2 crack](#)  
[MS Dhoni The Untold Story Movie In Hindi 720p Download](#)  
[tomasi trombone concerto pdf 16](#)